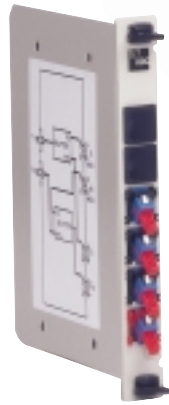


# OmniReach™ FTTN Solutions

## Wavelength Division Multiplexer



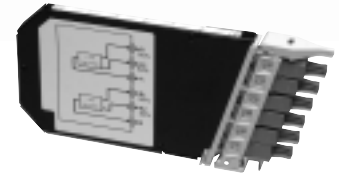
FDF/standard style



LGX style



OMX style



MicroVAM style

ADC's OmniReach™ FTTN Solutions are the industry's first infrastructure solutions designed from the ground up to meet the unique requirements of FTTN networks. Designed for operational efficiency and scalability, ADC's OmniReach solutions simplify FTTN network installation, maintenance, and management from the central office/headend to the outside plant.

Installed in central office fiber panels or frames, or in outside plant enclosures, wavelength division multiplexers (WDMs) enable carriers to mux and demux optical signals to combine analog or digital video with voice and data. There are flexibility advantages for placing the WDM inside the fiber distribution frame lineup as opposed to placing it beside the optical line terminal (OLT) equipment.

### Features

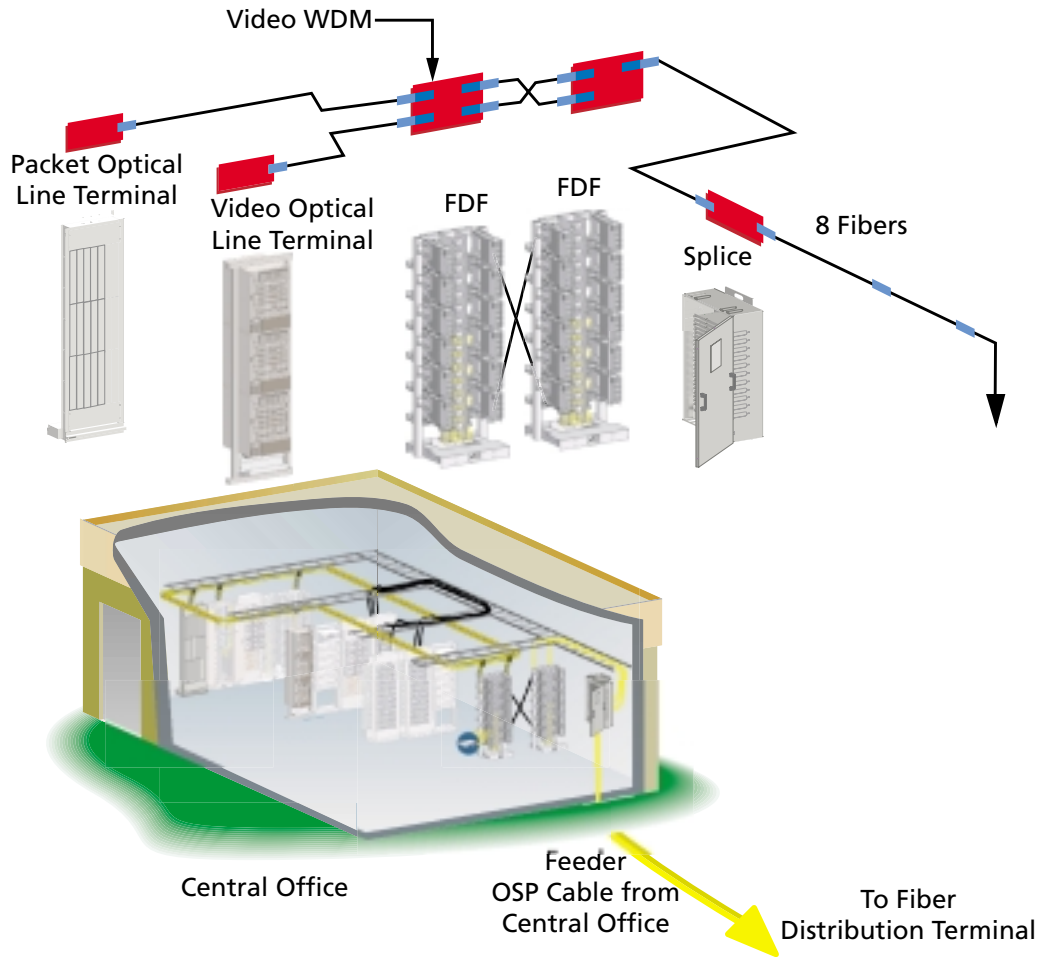
- Integrated into traditional ADC fiber management systems
- Qualified to GR-1209 and GR-1221
- Rugged package protects delicate splitters from installer handling or in harsh environments
- Industry-leading low loss
- Terminated with GR-326 certified connectors
- Variety of package styles allows adaptation to many applications



# OmniReach™ FTTP Solutions

Wavelength Division Multiplexer Application

Wavelength Division Multiplexers



4 / 0 4 • 1 2 7 6 5 5 9



# OmniReach™ FTTP Solutions

## Wavelength Division Multiplexer

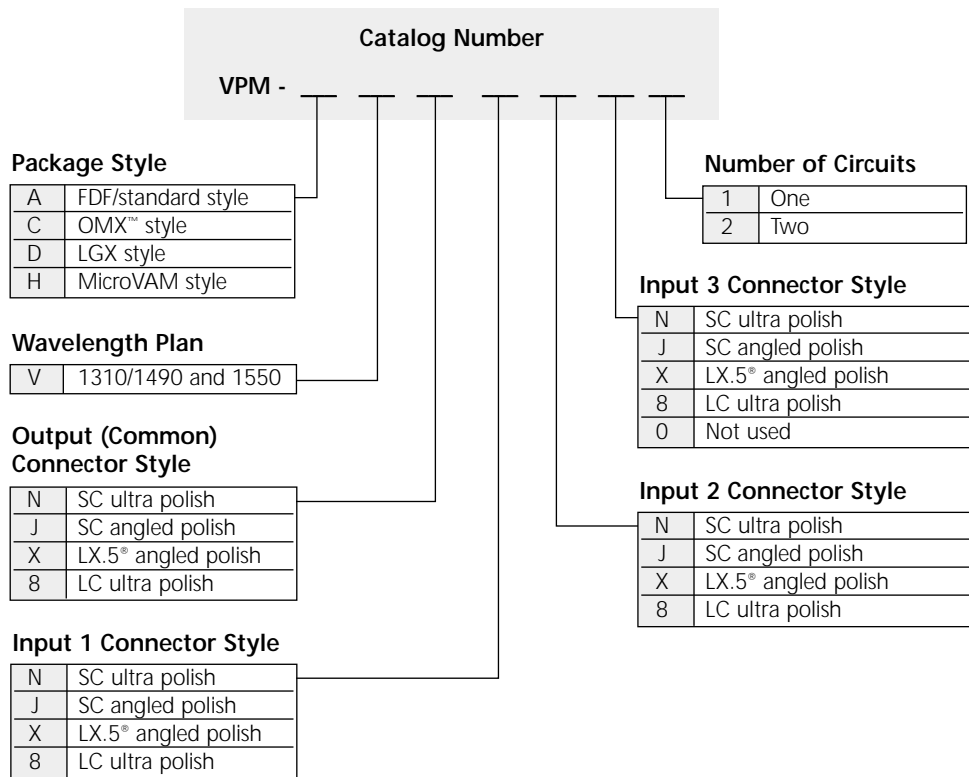
Wavelength Division Multiplexers

4 / 0 4 • 1 2 7 6 5 5 9

### Features

#### Adapter Port Versions

- Removable retainers allow access to rear ports for cleaning
- Colored retainers and designation labeling help technicians distinguish between ports
- Integrates into standard ADC fiber management products





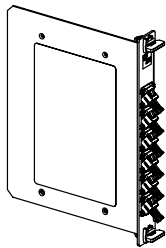
# OmniReach™ FOTP Solutions

## Wavelength Division Multiplexer Modules

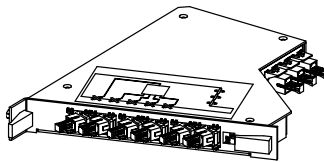
Wavelength Division Multiplexers

### SPECIFICATIONS

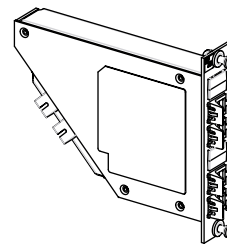
Pass Band:	1540 to 1565 nm
Reflect Bands:	1260 to 1360 nm 1475 to 1505 nm
Reflect Isolation:	20dB
Transmit Isolation:	30dB
Transmit IL:	.7dB
Reflect IL:	.7dB
PMD (all ports):	.1ps
PDL:	.1dB
Chromatic Dispersion:	-1 ±1 ps/nm
Power Handling:	25dBm
Directivity:	55dB
Return Loss:	55dB
Operating Temperature:	-40° to 85°C
Storage Temperature:	-40° to 85°C
Operating Relative Humidity:	5% to 95%
Storage Relative Humidity:	5% to 100%



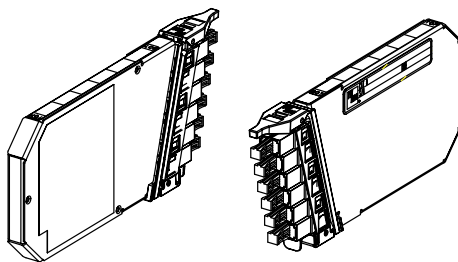
Package Style A



Package Style C



Package Style D



Package Style H

4 / 0 4 • 1 2 7 6 5 5 9



# OmniReach™ FTTP Solutions

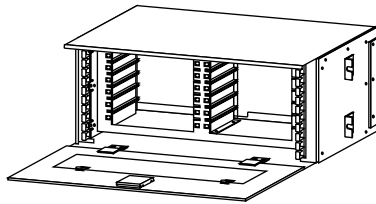
## Chassis for Splitters and WDM Modules

Wavelength Division Multiplexers

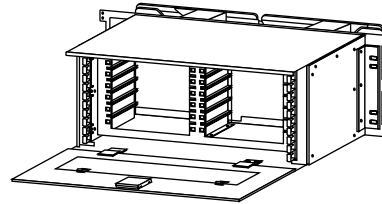
### ADC Fiber Distribution Frame - Standard Chassis

### 8 Inch Chassis – 12 Single Plug-In Modules

The FDF VAM chassis fits into any open chassis location within an existing ADC fiber distribution frame (FDF). The FDF VAM chassis is available with or without rear cable management. It accommodates a maximum of either 12 plug-in modules, 12 bulkhead plates, 12 blank panels or any combination thereof. The 8" rear load chassis mounts in EIA or WECCO racks.



FDF-STDVAM  
For ADC Front Load Frames ONLY



FDF-FCMVAM  
For ADC Rear Load Frames ONLY

#### Ordering Information

Description	Dimensions (HxWxD)	Catalog Number*
Unloaded chassis for ADC front load frames: No rear cable management or doors attached to module	8.0" x 21.6" x 8.7" (20.32 x 54.86 x 22.10 cm)	FDF-STDVAM
Unloaded chassis for ADC rear load frames: Rear cable management and doors attached to module	8.0" x 24.4" x 12.1" (20.32 x 61.98 x 30.73 cm)	FDF-FCMVAM

\* Chassis accept package style A.

4 / 0 4 • 1 2 7 6 5 5 9



# OmniReach™ FTTP Solutions

## Chassis for Splitters and WDM Modules

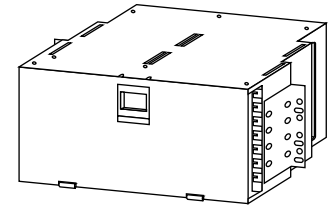
Wavelength Division Multiplexers

4 / 0 4 • 1 2 7 6 5 5 9

### ADC Fiber Distribution Frame - Standard Chassis

#### 7 Inch Chassis – 12 Single Plug-In Modules

The 7" VAM chassis fits into any open chassis location within an existing ADC 7" module system FDF or in an LGX-style frame. It accommodates a maximum of 12 single plug-in modules, 12 bulkhead plates, 12 blank panels or any combination thereof. Adjustable mounting brackets are provided for 19" or 23" rack mounting environments. The 7" chassis mounts in EIA or WEKO racks.



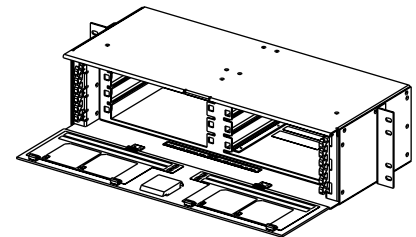
FVM-19X700

#### Ordering Information

Description	Dimensions (HxWxD)	Catalog Number*
Unloaded chassis for ADC 7" style frames; 23" VCG included	7.0" x 19.0" or 23" x 12" (17.78 x 48.26 or 58.42 x 30.48 cm)	FVM-19X700
Unloaded chassis for LGX 7" style frames; with rear doors; 23" VCG included	7.0" x 19.0" or 23" x 11.03" (17.78 x 48.26 or 58.42 x 28.02)	FVM-19X700X11
Unloaded chassis for ADC 7" style frames; 19" VCG included	7.0" x 19.0" or 23" x 12" (17.78 x 48.26 or 58.42 x 30.48 cm)	FVM-19X719
Unloaded chassis for LGX 7" style frames; with rear doors; 19" VCG included	7.0" x 19.0" or 23" x 11.03" (17.78 x 48.26 or 58.42 x 28.02)	FVM-19X719X11
Front vertical cable guides for 19" mounting environments		VCG-25
Front vertical cable guides for 23" mounting environments		VCG-45

#### 5.25 Inch Chassis – 8 Single Plug-In Modules

The 5.25" VAM chassis fits into any 23" rack mounting environment. It accommodates a maximum of 8 plug-in modules, 8 bulkhead plates, 8 blank panels, or any combination thereof.



#### Ordering Information

Description	Dimensions (HxWxD)	Catalog Number*
Unloaded chassis for 23" racks	5.25" x 23" x 12" (13.34 x 58.42 x 30.48 cm)	FDM24-VAM525

\* Chassis accept package style A.



# OmniReach™ FTTP Solutions

Chassis for Splitters and WDM Modules - cont.

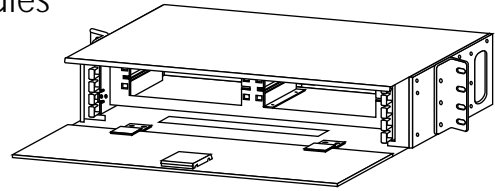
Wavelength Division Multiplexers  
4 / 0 4 • 1 2 7 6 5 5 9

## Chassis used in Non-ADC Optical Distribution Frame

### 4 Inch Chassis – 6 Single Plug-In Modules

The 4" VAM chassis fits into any 23" rack mounting environment. It accommodates a maximum of 6 plug-in modules, 6 bulkhead plates, 6 blank panels or any combination thereof.

**Not for use in ADC FDF**



FVM-23X400

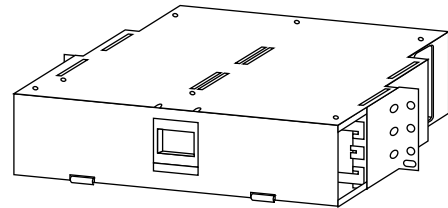
#### Ordering Information

Description	Dimensions (HxWxD)	Catalog Number*
Unloaded chassis for 23" racks	4.0" x 23" x 12" (10.16 x 58.42 x 30.48 cm)	FVM-23X400

### 3.5 Inch Chassis – 4 Single Plug-In Modules

The 3.5" VAM chassis fits into any 19" rack mounting environment. It accommodates a maximum of 4 plug-in modules, 4 bulkhead plates, 4 blank panels or any combination thereof. Adjustable mounting brackets are provided for 23" mounting environments.

**Not for use in ADC FDF**



FVM-19X350

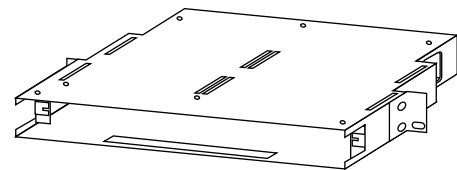
#### Ordering Information

Description	Dimensions (HxWxD)	Catalog Number*
Unloaded chassis for 19" or 23" racks	3.5" x 19" or 23" x 12" (8.89 x 48.26 or 58.26 x 30.48 cm)	FVM-19X350

### 1.75 Inch Chassis – 2 Single Plug-In Modules

The 1.75" VAM chassis fits into any 19" rack mounting environment. It accommodates a maximum of 2 plug-in modules, 2 bulkhead plates, 2 blank panels or any combination thereof. Adjustable mounting brackets are provided for 23" mounting environments.

**Not for use in ADC FDF**



FVM-19X175

#### Ordering Information

Description	Dimensions (HxWxD)	Catalog Number*
Unloaded chassis for 19" or 23" racks; no front door	1.75" x 19" or 23" x 12" (4.45 x 48.26 or 58.26 x 30.48 cm)	FVM-19X175

\* Chassis accept package style A.



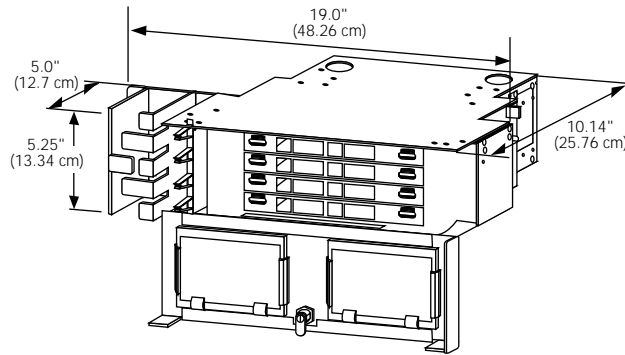
# OmniReach™ FTTP Solutions

## Chassis for Splitters and WDM Modules

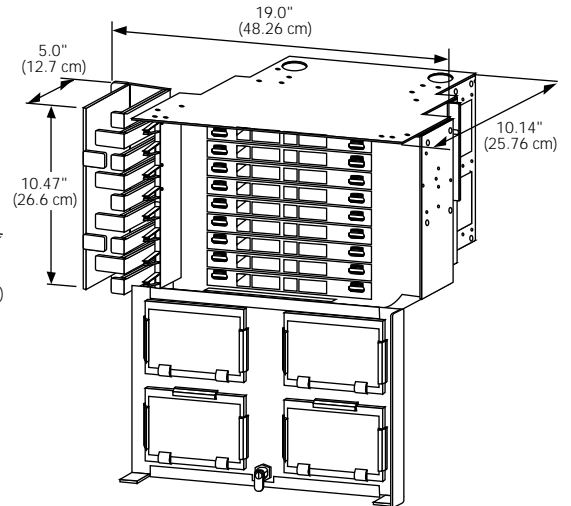
Wavelength Division Multiplexers  
4 / 0 4 • 1 2 7 6 5 5 9

### FL2000 VAM System Chassis

- Accommodates ADC VAM plug-in modules in FL2000 installations
- 19" rack mount
- Vertical cable guides included



FL2 VAM 4 Position Chassis



FL2 VAM 9 Position Chassis

### Ordering Information

Description	Dimensions (HxWxD)	Catalog Number*
Unloaded FL2 VAM chassis 5.25" H (13.34 cm) Accommodates 4 plug-in modules	5.25" x 19" x 10.14" (13.34 x 48.26 x 25.76 cm)	FL2-4VAM525
7" H (17.78 cm) Accommodates 6 plug-in modules	6" x 19" x 10.14" (15.24 x 48.26 x 25.76cm)	FL2-6VAM700
10.5" H (26.67 cm) Accommodates 9 plug-in modules	10.5" x 19" x 10.14" (26.67 x 48.26 x 25.76 cm)	FL2-9VAM105

\* Chassis accept package style A.





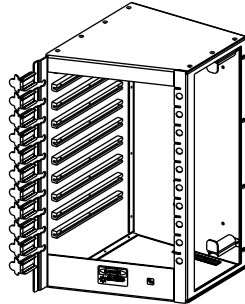
# OmniReach™ FTTP Solutions

## Chassis for Splitter Modules

Wavelength Division Multiplexers  
4 / 0 4 • 1 2 7 6 5 5 9

### Optical Distribution Frame (OMX™) Chassis

The OMX VAM chassis is designed to fit into any open chassis location within new or existing OMX 600 optical distribution frames. Each chassis can accommodate a maximum of ten VAM plug-in modules, ten bulkhead plates, ten blank plates or any combination thereof.

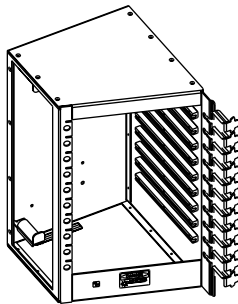


Left Chassis



#### Ordering Information

Description	Dimensions (HxWxD)	Catalog Number*
Unloaded chassis - left orientation; accommodates up to 10 modules	14.69" x 8.93" x 11.25" (37.31 x 22.68 x 28.58 cm)	MX6-VAMCHAS-L



Right Chassis

#### Ordering Information

Description	Dimensions (HxWxD)	Catalog Number*
Unloaded chassis - right orientation; accommodates up to 10 modules	14.69" x 8.93" x 11.25" (37.31 x 22.68 x 28.58 cm)	MX6-VAMCHAS-R

\* Chassis accept package style C.

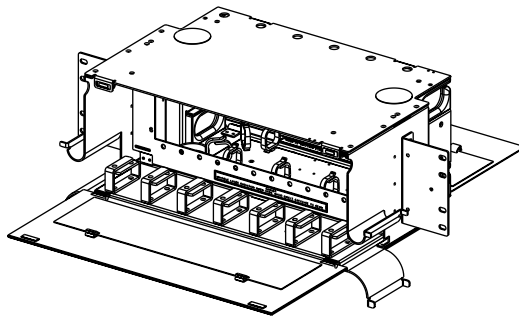
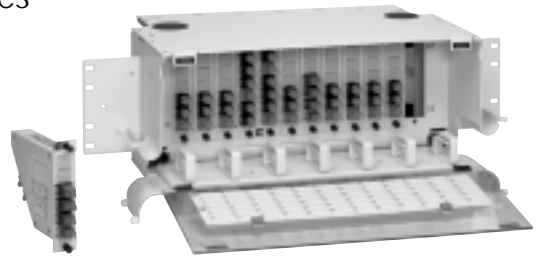


# OmniReach™ FTTP Solutions

## Chassis for Splitters and WDM Modules

### Chassis for LGX, LSX and NG3™ Frames

The 7" (17.78 cm) chassis is designed to fit into any open chassis location within new or existing LGX-compatible fiber frames. It can accommodate a maximum of 12 plug-in modules, 12 bulkhead plates, 12 blank plates, or any combination thereof. The mounting slots are oriented vertically.



#### Ordering Information

Description	Dimensions (HxWxD)	Catalog Number*
7" unloaded chassis; VAMs mount vertically; accommodates up to 12 modules	7" x 19/23" x 11" (17.78 x 48.26/58.42 x 27.94 cm)	FVM-VLM19X700-W

\* Chassis accept package style D.

Wavelength Division Multiplexers

4 / 0 4 • 1 2 7 6 5 5 9



# OmniReach™ FTTP Solutions

## Chassis for Splitters and WDM Modules

Wavelength Division Multiplexers  
4 / 0 4 • 1 2 7 6 5 5 9

### Fiber Management Tray (FMT) for MicroVAMs

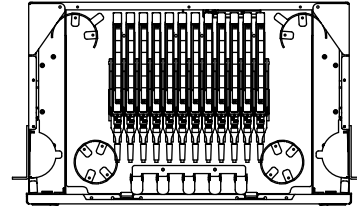
The 2RU FMT VAM chassis houses up to twelve MicroVAMs. These MicroVAMs are used for testing and monitoring optical signals; technicians can access both directions of the signal without disrupting service. The chassis mounts in 19-inch or 23-inch racks.



MicroVAM Shown  
in Access Position



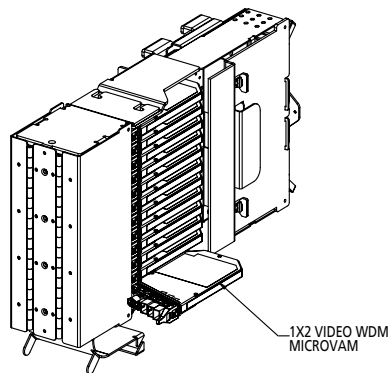
FMT-G Series with MicroVAM



#### Ordering Information

Description	Catalog Number*
<b>2 RU Fiber Management Tray (FMT-G Series)</b> accommodates up to 12 MicroVAMs for monitoring optical signals	FMT-GVM00000-A72P

### ADC Next Generation Frame (NGF) MicroVAM Chassis



#### Ordering Information

Description	Dimensions (HxWxD)	Catalog Number*
Unloaded chassis for ADC NGF; accommodates 12 MicroVAMS. Order chassis for left or right side of NGF; add L or R to end of catalog number.	11.65" x 4.67" x 17.94" (29.6 x 11.9 x 45.6 cm)	NGF-VSPM-7000

\* Chassis accept package style H.



**Web Site: [www.adc.com](http://www.adc.com)**

From North America, Call Toll Free: 1-800-366-3891 • Outside of North America: +1-952-938-8080 Fax: +1-952-917-3237  
For a listing of ADC's global sales office locations, please refer to our web site.

ADC Telecommunications, Inc., P.O. Box 1101, Minneapolis, Minnesota USA 55440-1101  
Specifications published here are current as of the date of publication of this document. Because we are continuously improving our products, ADC reserves the right to change specifications without prior notice. At any time, you may verify product specifications by contacting our headquarters office in Minneapolis. ADC Telecommunications, Inc. views its patent portfolio as an important corporate asset and vigorously enforces its patents. Products or features contained herein may be covered by one or more U.S. or foreign patents. An Equal Opportunity Employer

