

ADC Structured Cabling Solutions

HighBand® Wall Mount Solutions



The highest performing cross-connect
system in the world

HighBand® Wall Mount Patching Solution

Reliable, secure and cost effective

ADC's HighBand® cross connect solution allows for maximum network throughput and a convenient, secure network termination point.

The solution is comprised of high performance disconnection modules, user friendly cable management and innovative anti-snag patch cords. It is the ideal cabling solution for companies who require efficiency, guaranteed performance and appealing aesthetics.

The HighBand range is based on Patch-by-Exception, which is a unique termination technology that offers material, installation and operational cost savings, making it a compelling alternative to traditional RJ45 products. The beauty of a patch-by-exception solution is that the connections are hard wired so no patch cords or jumper cables are visible at the front. The system is totally hard wired from network equipment to work area, providing a secure, reliable, high performance infrastructure from switch to work area, or PABX to telephone. Patch cords can be used to route 'exceptions' or changes to the original configuration.



The disconnection modules can be either patched or jumpered and used in a Patch-by-Exception structured cabling solution.

HighBand utilises the silver plated, world renowned LSA-PLUS® contact principle. This ADC technology has become the industry standard in over 140 countries. The gas-tight contacts ensure a reliable and long lasting connection. The frequent moves, adds and changes that occur in today's cabling systems can quickly degrade the quality of wire termination. ADC products maintain superior connectivity during hundreds of re-terminations and deliver the best electrical performance in the industry.

HighBand® Wall Mount Solutions



Immediate Cost Savings

Available in both Category 6 and 6A, HighBand® technology offers cost savings in the initial installation and most importantly the ongoing cost of maintaining your patching equipment. These initial cost savings are due to:

- Fewer patch cords required
- Fewer equipment racks required, reducing footprint
- Reduced labour due to the front termination of the disconnect modules
- Cable offcuts are used for connecting services (no special jumper wires required)

Operational Benefits

Patch-by-Exception technology is ideally suited to VoIP networks. In a VoIP system, all adds, moves and changes to user handsets are done using software tools. The user name and phone number are related to the handset by the IP and MAC address assigned to the VoIP enabled handset itself. Thus when a user needs to move, they simply unplug the handset from the current RJ45 outlet and plug it into another active RJ45 outlet on the same logical IP network. This could be across the hall, the building or the world and is achieved without any patch cord changes on the cross connect. Thus in a VoIP environment utilising this system, the need for patch cords is eliminated, only to be used perhaps for diagnosis or to bypass a damaged cable.

The unique design of the ADC LSA-PLUS® contact allows two wires to be inserted into each contact slot. This can be used for call monitoring or double jumpering of voice services.

Added Security

When HighBand® cabling systems are installed, active equipment can be safely locked away in cabinets. Any unauthorised patching will stand out from the clean module faces. Incorrect patches are instantly recognisable on a patch-by-exception system. Temporary disconnection is easily done by placing a disconnection plug in the centre port of an outlet. The entire work area may be disabled, or individually using disconnection plugs.

Performance

International telecommunications standards recognise that there is a difference in insertion loss between solid (horizontal) cable and stranded (patch) cable. Solid cable is 20 to 50 per cent more reliable. By using solid jumpers at the cross connect, higher performance is guaranteed. This translates directly into fewer problems in the network more data throughput and less fault-finding issues.

ADC's HighBand disconnection modules provide the highest performance available. This ensures high bandwidth for present requirements and spare capacity for future upgrades.

Cross-Connect System

Colour coded for ease of installation, the HighBand® module allows for termination of 4-pair UTP cables. HighBand® technology enables the highest performing Category 6_A module in the world with transmission performance headroom far exceeding all local and international standards.

The rear cable manager provides cable management for incoming cables and makes installation easier. Incoming cables are held in place by built-in clips that direct the cable to the point of termination. Each cable is secured firmly preventing the need for additional cable or Velcro ties.

The label holder clips into position on the face of each module, providing a secure fit and allows patching and jumpering to take place whilst it is fitted.

The 12-way wall mount frame is made from high-grade stainless steel, providing strength and superior corrosion resistance. Extra depth has been provided to allow for Category 6_A bend radius requirements. Velcro tie off points have been included to ensure tidy installation practices and ease of cable routing.



12-way Basic System



12-way wall mount Frame



HighBand® Category 6_A Module with rear cable manager



HighBand® Label Holder

Ordering Information

Description	Product No.
Category 6_A 12-way Kit Consists of (1) wall mount frame, (12) 20-pair HighBand® Category 6 _A modules including rear cable manager and (12) label holders.	6450 1 107-01
Category 6 12-way Kit Consists of (1) wall mount frame, (12) 25-pair Highband® Category 6 modules including rear cable manager and (12) label holders.	6450 1 101-10
Category 6 Module Kit Consists of (12) 25-pair HighBand® Category 6 modules, (12) label holders and (12) rear cable managers.	6468 5 600-10
Category 3 Voice Module Kit Consists of (12) 25-pair HighBand® Voice modules, (12) label holders and (12) rear cable managers.	6468 5 300-10
Label Holder Kit Consists of (12) HighBand label holders, (12) paper inserts and (12) protective windows.	6462 2 408-01
12-way Wall Mount Frame (1)	6450 2 155-01

Cable Management

The cable management rings control vertical cable management between frames, ensuring that cables do not interfere when adds, moves and changes occur. The cable manager is ideal for high density or heavily patched installations and provides a neat, clean finish to the HighBand® system.

Cable troughs mounted on the top and bottom of each frame ensure superior cable management and correct bend radius between frames.



Vertical Management Cover



Cable Management Rings



Top Cable Trough



Bottom Cable Trough

Ordering Information

Description	Product No.
12-way Cable Management Kit Includes (2) cable management rings and (1) cover.	6450 1 103-10
Cable Management Rings (2)	6450 2 156-20
Cover (1)	6450 2 158-20
Cable Troughs	
Cable Trough Top (1)	6450 2 157-10
Cable Trough Bottom (1)	6450 2 157-20

19" Rack Installations

HighBand® can also be used as a traditional cross connect inside a 19" rack. The recessed frame ensures that the modules sit flush with the front of the rack and other 19" equipment that may already be in place within the rack.

A rear cable manager is also available to assist when other cable management within the rack is not accessible.



Rear Cable Management Bar



HighBand 4-way Rack Kit



HighBand 8-way Rack Kit



HighBand 12-way Rack Kit

Ordering Information

Description	Dimensions	Product No.
4-way Rack Kit Consists of (4) 25-pair HighBand® Category 6 modules, (4) label holders and (1) 19" recessed frame.	2RU	6450 1 176-01
4-way Recessed Frame (1)	2RU	6450 2 176-00
8-way Rack Kit Consists of (8) 25-pair HighBand® Category 6 modules, (8) label holders and (1) 19" recessed frame.	3RU	6450 1 177-01
8-way Recessed Frame (1)	3RU	6450 2 177-00
12-way Rack Kit Consists of (12) 25-pair HighBand® Category 6 modules, (12) label holder kits and (1) 19" recessed frame.	4RU	6450 1 178-01
12-way Recessed Frame (1)	4RU	6450 2 178-00
Rear cable management bar	1RU	6450 1 210-00

Consolidation Point

For use in horizontal cabling as a high-density consolidation point, ideal for use inside a ceiling or false floor. The modules clip directly on to the specially designed metal wall mount frame. The plastic cover clips into place to protect the modules from dust and foreign particles.



Consolidation Point Kit

Ordering Information

Description	Product No.
Category 6A Consolidation Point Kit Consists of (4) 20-pair HighBand® Category 6A modules, (4) label holders, (1) wall mount frame and (1) protective cover.	6450 1 105-21
Category 6 Consolidation Point Kit Consists of (4) 25-pair HighBand® Category 6 modules, (4) label holders, (1) wall mount frame and (1) protective cover.	6450 1 105-11



Patch Cords

The HighBand® patch cords are Category 6 and 6A compliant and come in a number of styles to suit the various applications. The 4-pair rear facing patch cord is ideally suited to the 12-way and 36-way configurations.

The 1-pair patch cord is available for patching voice 1-pair to 1-pair or can also be utilised for single pair testing.

The front facing patch cords are ideal in rack mount installations or when patching is commonplace.



1-pair Rear Facing



4-pair Front Facing



4-pair Rear Facing

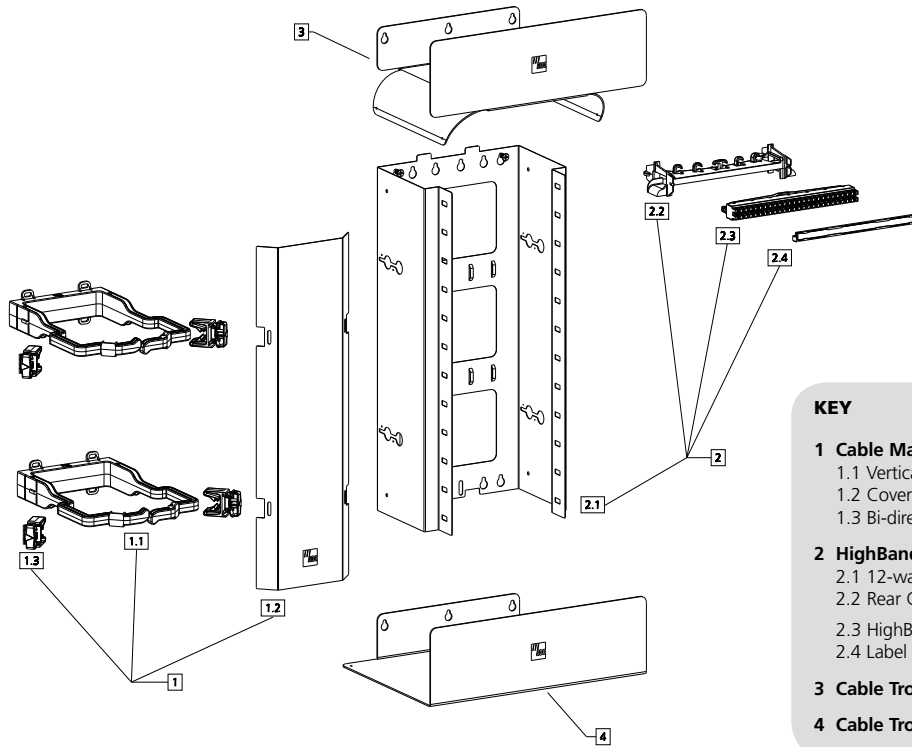
Ordering Information

Description	Quantity	Length	Colour	Product No.
HighBand Category 6A Patch Cords				
4-pair Rear Facing Patch Cord	Bag of 1	1.2m	Blue	6451 2 401C-10
4-pair Rear Facing Patch Cord	Bag of 1	2.1m	Blue	6451 2 401C-20
4-pair Rear Facing Patch Cord	Bag of 1	3.0m	Blue	6451 2 401C-30
4-pair Rear Facing Patch Cord	Bag of 1	4.5m	Blue	6451 2 401C-40
4-pair Front Facing Patch Cord	Bag of 1	1.2m	Blue	6451 2 403C-10
4-pair Front Facing Patch Cord	Bag of 1	2.1m	Blue	6451 2 403C-20
4-pair Front Facing Patch Cord	Bag of 1	3.0m	Blue	6451 2 403C-30
4-pair Front Facing Patch Cord	Bag of 1	4.5m	Blue	6451 2 403C-40
4-pair Rear Facing to RJ45 Patch Cord	Bag of 1	1.2m	Blue	6451 2 400C-10
4-pair Rear Facing To RJ45 Patch Cord	Bag of 1	2.1m	Blue	6451 2 400C-20
4-pair Rear Facing To RJ45 Patch Cord	Bag of 1	3.0m	Blue	6451 2 400C-30
4-pair Rear Facing To RJ45 Patch Cord	Bag of 1	4.5m	Blue	6451 2 400C-40
4-pair Front Facing to RJ45 Patch Cord	Bag of 1	1.2m	Blue	6451 2 404C-10
4-pair Front Facing To RJ45 Patch Cord	Bag of 1	2.1m	Blue	6451 2 404C-20
4-pair Front Facing To RJ45 Patch Cord	Bag of 1	3.0m	Blue	6451 2 404C-30
4-pair Front Facing To RJ45 Patch Cord	Bag of 1	4.5m	Blue	6451 2 404C-40
HighBand Category 6 Patch Cords				
4-pair to 4-pair Rear	Bag of 1	1.2m	Blue	6451 2 701C-10
4-pair to 4-pair Rear	Bag of 1	2.1m	Blue	6451 2 701C-20
4-pair to 4-pair Rear	Bag of 1	3.0m	Blue	6451 2 701C-30
4-pair to 4-pair Rear	Bag of 1	4.5m	Blue	6451 2 701C-40
4-pair to RJ45 Rear	Bag of 1	1.2m	Blue	6451 2 700C-10
4-pair to RJ45 Rear	Bag of 1	2.1m	Blue	6451 2 700C-20
4-pair to RJ45 Rear	Bag of 1	3.0m	Blue	6451 2 700C-30
4-pair to RJ45 Rear	Bag of 1	4.5m	Blue	6451 2 700C-40
1-pair to 1-pair Rear	Bag of 1	1.2m	White	6451 2 702-10
1-pair to 1-pair Rear	Bag of 1	2.1m	White	6451 2 702-20
1-pair to 1-pair Rear	Bag of 1	3.0m	White	6451 2 702-30
1-pair to 1-pair Rear	Bag of 1	4.5m	White	6451 2 702-40
4-pair to 4-pair Front	Bag of 1	1.2m	Blue	6451 2 703C-10
4-pair to 4-pair Front	Bag of 1	2.1m	Blue	6451 2 703C-20
4-pair to 4-pair Front	Bag of 1	3.0m	Blue	6451 2 703C-30
4-pair to 4-pair Front	Bag of 1	4.5m	Blue	6451 2 703C-40
4-pair to RJ45 Front	Bag of 1	1.2m	Blue	6451 2 704C-10
4-pair to RJ45 Front	Bag of 1	2.1m	Blue	6451 2 704C-20
4-pair to RJ45 Front	Bag of 1	3.0m	Blue	6451 2 704C-30
4-pair to RJ45 Front	Bag of 1	4.5m	Blue	6451 2 704C-40

HighBand® Wall Mount Solutions



Product Identification Guide



KEY

1 Cable Management Kit

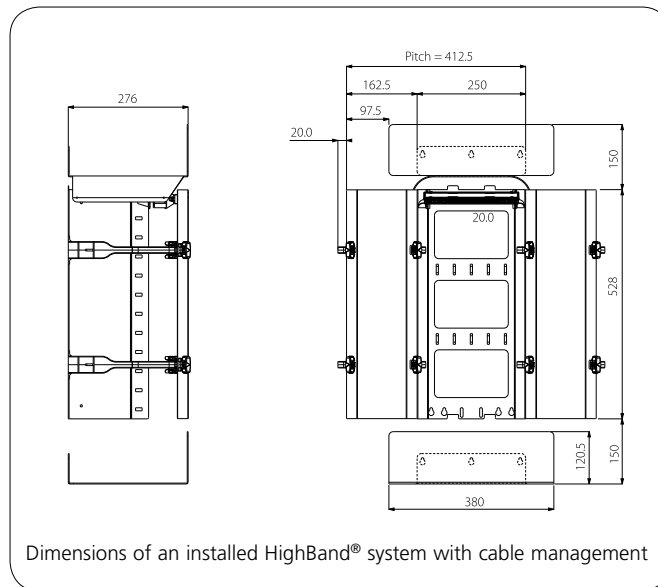
- 1.1 Vertical Cable Manager (2)
- 1.2 Cover (1)
- 1.3 Bi-directional hinged clips (4)

2 HighBand® Module Kit

- 2.1 12-way wall mount Frame (1)
- 2.2 Rear Cable Manager (12)
- 2.3 HighBand® Module (12)
- 2.4 Label Holder Kit (12)

3 Cable Trough, top

4 Cable Trough, bottom



www.adc.com/in

Corporate Office & Factory: P B No. 5812, 10 'C' II Phase, Peenya, BANGALORE - 560 058. India
Ph: +91 80 2839 6101 / 6291, Fax +91 80 2372 2753 Toll Free: 1800 425 8232

For a listing of ADC India's sales office locations, please refer to our website

ADC Telecommunications, Inc., P.O. Box 1101, Minneapolis, Minnesota USA 55440-1101

Specifications published here are current as of the date of publication of this document. Because we are continuously improving our products, ADC reserves the right to change specifications without prior notice. At any time, you may verify product specifications by contacting our headquarters office in Minneapolis. ADC Telecommunications, Inc. views its patent portfolio as an important corporate asset and vigorously enforces its patents. Products or features contained herein may be covered by one or more U.S. or foreign patents. An Equal Opportunity Employer

401700IN 06/10 © 2010 Telecommunications, Inc. All Rights Reserved.